

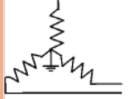


Installation Data Sheet
Series: 1:1 Belt Drive SM.3
Document No.: TI-DATA-2018-SM 7.5 10 15
Version: 1.8
Revision Date: 12/8/25

Model	SM 7.5			SM 10			SM 15		
Rated Pressure [psig]	125	160	217	125	160	217	125	160	217
I. COOLING DATA									
Cooling System Available [Std., Opt.]	A/C			A/C			A/C		
Standard Ambient Temp. Range [°F]	40 - 115			40 - 115			40 - 115		
VENTILATION OF COMPRESSOR ROOM									
Air Inlet Opening [sq. ft. free area] (A/C) Z	2.2			2.7			3.2		
Solution A (forced ventilation with exhaust fan) as shown in service manual									
Cooling Fan Capacity [CFM] (A/C)	1,471			1,766			2,119		
Solution B (exhaust air used for space heating) as shown in service manual									
Internal Cooling Fan Capacity [CFM] (A/C)	1,295			1,295			1,295		
Max. Additional Pressure Drop for Ducts [inch Water Column] (A/C)	0.12			0.12			0.08		
Exhaust Air Opening Reference Dimensions (L x W) [in]	26 x 26			26 x 26			26 x 26		
See drawing for actual dimensions. The actual individual duct dimension will vary for every installation based on actual length, number and type of bends, accessories etc.									
<div style="display: flex; align-items: center;"> <div style="flex: 1;"> <p style="text-align: center;">Model shown for reference only Actual Duct size may vary with installation</p> </div> <div style="flex: 2;"> </div> </div>									
Solution A Exhaust Fan									
Solution B Exhaust Duct									
Ventilation of Compressor Room Z									
AIR COOLED DATA									
Internal Cooling Fan Capacity [CFM]	1,295			1,295			1,295		
Approach Temp. [°F]	9			7.2			7.2		
Typical Heat Rejected [BTU / HR]	24,500			32,500			40,000		
Reference conditions: 14.5 psia, 30% relative humidity and 68°F inlet air temperature.									
II. ELECTRICAL DATA									
<i>Electrical data may vary in accordance with motor manufacturer's specifications. Motors are EISA compliant.</i>									
DRIVE MOTOR									
Motor HP	7.5			10			15		
Insulation Class	F			F			F		
Standard Voltage	208-230/460V/3ph/60Hz			208-230/460V/3ph/60Hz			208-230/460V/3ph/60Hz		
Full Load Amps [FLA] @ 208V/3ph/60Hz	19.2			26			37.4		
Full Load Amps [FLA] @ 230V/3ph/60Hz	18.1			25			35.5		
Full Load Amps [FLA] @ 460V/3ph/60Hz	9.2			12.4			17.8		
Full Load Amps [FLA] @ 575V/3ph/60Hz	7			10			14		



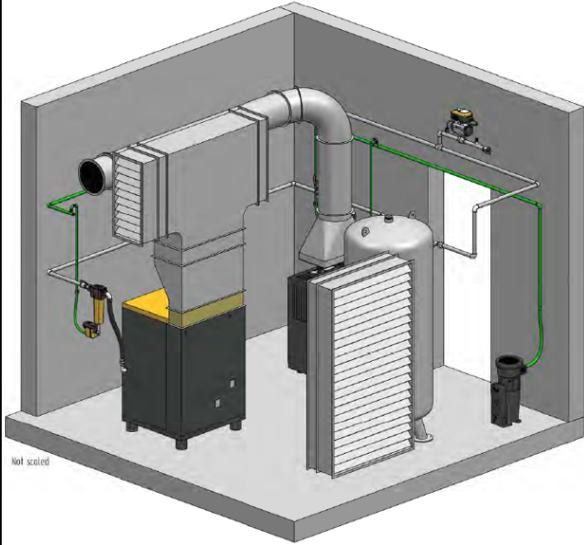
Installation Data Sheet
Series: 1:1 Belt Drive SM.3
Document No.: TI-DATA-2018-SM 7.5 10 15
Version: 1.8
Revision Date: 12/8/25

Model	SM 7.5			SM 10			SM 15			
	Rated Pressure [psig]	125	160	217	125	160	217	125	160	217
TOTAL PACKAGE DATA (A/C)										
Do NOT operate package on an unsymmetrical power supply. Also do NOT operate package power supplies such as a three-phase WYE system with the center point not solidly grounded or on a three-phase (open) delta system. The machine requires a symmetrical three-phase power supply transformer with a WYE configuration as shown. With a symmetrical three-phase supply the phase angles and voltages are all the same. Other power supplies are not suitable.							Three-phase star circuit (WYE); 3 wire; center point solidly grounded			
Continuous Duty [Hours per day]								24		24
Control Cabinet Class (NEMA)								12		12
Short Circuit Current Rating (SCCR) [kA] @ 460V/3ph/60Hz								50		50
Short Circuit Current Rating (SCCR) [kA] @ 575V/3ph/60Hz								50		50
Package Full Load Amps @ 208V/3ph/60Hz [FLA]								23		38
Package Full Load Amps @ 230V/3ph/60Hz [FLA]								23		36
Package Full Load Amps @ 460V/3ph/60Hz [FLA]								11		18
Package Full Load Amps @ 575V/3ph/60Hz [FLA]								9		14
Recommended Disconnect Fuse Size [Amps] @ 208V/3ph/60Hz								35		50
Recommended Disconnect Fuse Size [Amps] @ 230V/3ph/60Hz								30		50
Recommended Disconnect Fuse Size [Amps] @ 460V/3ph/60Hz								15		25
Recommended Disconnect Fuse Size [Amps] @ 575V/3ph/60Hz								15		20
Recommended Disconnect Wire Size [AWG/kcmil] @ 208V/3ph/60Hz								10 AWG per phase and ground		8 AWG per phase and ground
Recommended Disconnect Wire Size [AWG/kcmil] @ 230V/3ph/60Hz								10 AWG per phase and ground		8 AWG per phase and ground
Recommended Disconnect Wire Size [AWG/kcmil] @ 460V/3ph/60Hz								14 AWG per phase and ground		12 AWG per phase and ground
Recommended Disconnect Wire Size [AWG/kcmil] @ 575V/3ph/60Hz								14 AWG per phase and ground		14 AWG per phase and ground
*Time delay (dual element) fuse; Class J ≤ 600A (e.g. AJT) / Class L > 600A (e.g. A4BQ). Based on 2020 NEC 240.6, 430.52, and Tables 430.52, 430.248, and 430.250										
The following multi-strand copper core wires are given according to 2020 NEC 310.14, 310.15, 310.16 and table 310.16 adjusted for 40°C ambient temperature. If other local conditions prevail, for example high temperature, the cross section should be checked and adjusted according to 2020 NEC 110.14(C), 220.3, 310.14, 310.15, 310.16, 430.6, 430.22, 430.24, 670.4(A) and other local codes.										
INSTALLATION and MAINTENANCE DATA										
A/C with Super Soundproofing [dB(A)]	SOUND PRESSURE LEVEL [Measured in dB(A) according to ISO 2151 using ISO 9614-2]							65		67
A/C Air Discharge [inches NPT or Flange]								3/4 NPT		3/4 NPT
Power Input Conduit Opening(s) [inches]								1 5/8		1 5/8
Condensate Drain Connection [NPT]								N/A		N/A
Width [inches]								24 3/4		24 3/4
Depth [inches]								30		30
Height [inches]								43 1/4		43 1/4
Floor Space [sq. ft.]								5 1/6		5 1/6
Weight [lb]								485		529
Weight may vary based on airend selected.										
COMPRESSOR FLUID DATA										
Fluid Capacity (A/C) [gal]								1.1		1.1
Flow Rate [gal/min]								2.4		2.4
Typical Oil Consumption [fl. Oz./100 h]								0.81		1.4
Standard Fluid Type								Sigma S-460		Sigma S-460
MAINTENANCE PARTS										
Air Inlet Filter								6.5212.0		
Filter Mat (optional)								5.3353.0		
Filter Mat for Control Cabinet								6.3572.0 (x4)		
Fluid Filter								6.3462.1		
Fluid Separator Kit								6.3795.1		
Maintenance Kit for Optional 5-year warranty								ANAKSM3S		
Maintenance Kit for Optional 5-year warranty, with food-grade lubricant								ANAKSM3F		

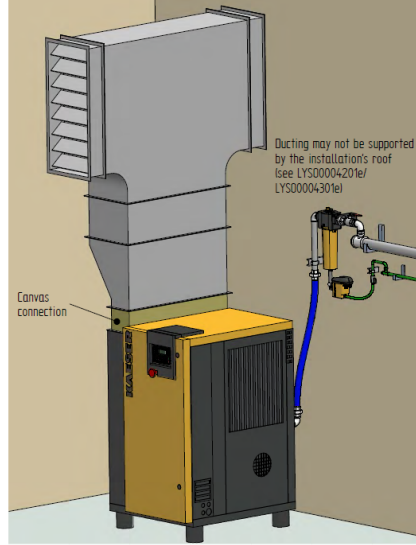
Model	SM 7.5			SM 10			SM 15		
Rated Pressure [psig]	125	160	217	125	160	217	125	160	217

SAMPLE SKETCHES

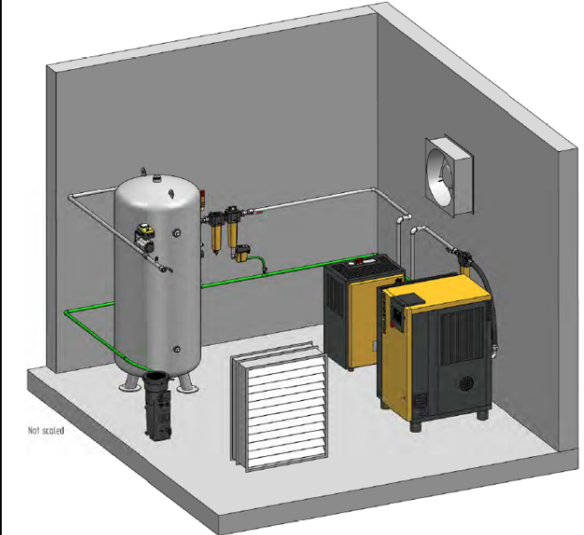
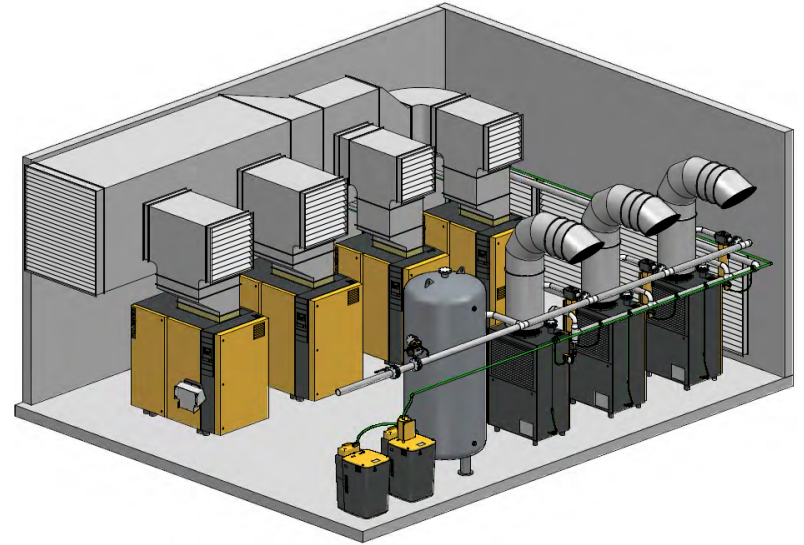
Sample Installation Planning
Examples of room ventilation and ductwork
 Please note the upsizing required for compressor exhaust ducts



SK 20 / TB 26 / F26KE / F26KA Sample Layout



Duct / Pipe connection SM



SK 20 / TB 26 / F26KE / F26KA Sample Layout

Example designs only, not for construction purposes.